



Z200

Heating > Heatpump > Z200

- + The most compact
- + Guaranteed heating thanks to heating priority
- + Suits most pools





3 YEAR WARRANTY

5 YEAR CONDENSER WARRANTY ANTI-CORROSION

Product offered for sale on the «pool dealer» channel

	Z200 M2	Z200 M3	Z200 M4	Z200 M5
PRODUCT REFERENCE				
Standard model	WH000010	WH000011	WH000012	WH000013

ACCESSORIES INCLUDED IN THE PACK		
		
Winter cover	PVC fittings 1/2 unions 40 & 50	Anti-vibrations pads

EQUIPMENTS	
<ul style="list-style-type: none"> • Horizontal blowing • Polypropylene body • Digital display • Heating priority mode (filtration pump control) • Automatic defrosting (forced ventilation) • Anti-freeze thermostat (minimum operating temperature: +5°C) • HP & LP safety pressure switch 	<ul style="list-style-type: none"> • Water flow switch • Titanium water exchanger condenser • Rotary vane compressor • Capillary expansion valve • Refrigerant fluid: R410A

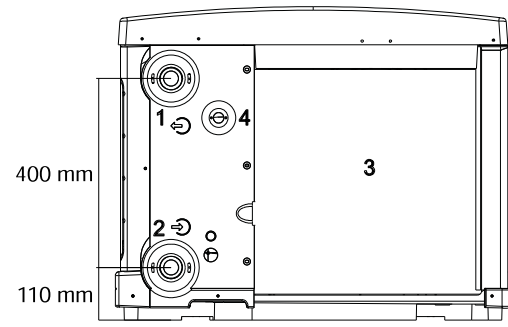
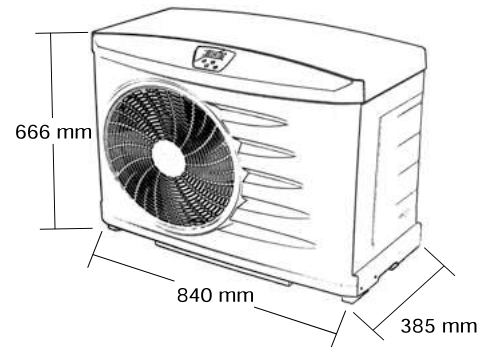
PERFORMANCE: AIR 28°C / WATER 28°C / HUMID. 80%				
Operating power (kW)	6.1	9	12	14.1
Consumed power (kW)	1.1	1.9	2.5	3
COP	5.6	4.7	4.8	4.7
PERFORMANCE: AIR 15°C / WATER 26°C / HUMID. 70%				
Operating power (kW)	4.6	6.3	8.4	10.2
Consumed power (kW)	1	1.6	2.1	2.6
COP	4.5		4.0	

TECHNICAL SPECIFICATIONS				
Recommended pool volume* (m ³)	0-30	20-45	30-60	40-70
Average water flow (m ³ /h)	3	4	5	
Hydraulic connection	PVC 1/2union, Ø 40 or 50, glued			
Electric power supply	230 V / 1 / 50 Hz			
Nominal operating power (A)	4.45	7.09	9.36	11.2
Maximum operating power (A)	5.2	8.7	12.4	15.7
Power cable size	3 x 2,5			
Refrigerant fluid quantity (g)	0.73	0.95	1.06	1.1
Acoustic pressure at 10m (dB(A))	38.2	39.1	40.6	43.7

*Estimated average values for a private pool with isothermal cover, from 15 May to 15 September.
 **For a maximum length of 20 meters.

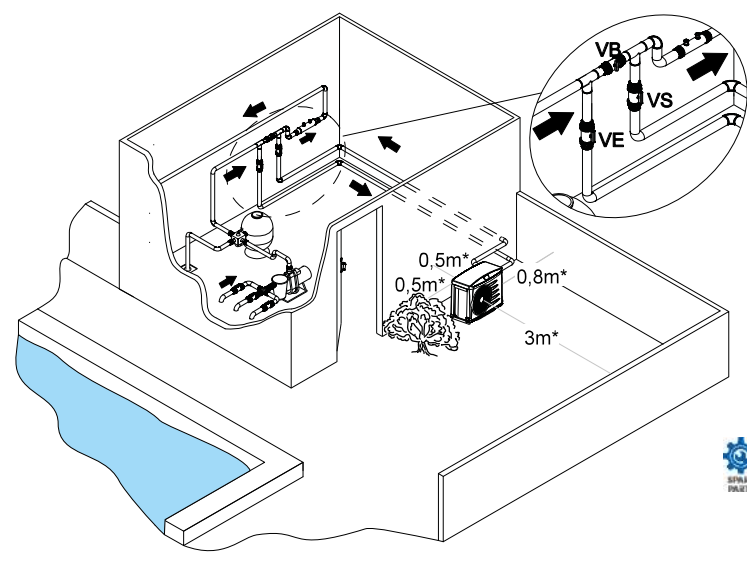
DIMENSIONS (MM) AND WEIGHT

	Z200 M2	Z200 M3	Z200 M4	Z200 M5
Weight (kg)	40	45	50	53



INSTALLATION

- Outside, close to the technical room, at sufficient distance from the pool (according to applicable electrical standards).
- On a stable, solid and level surface
- Between the heat pump and its surroundings (walls, plants, etc.), maintain minimum distances as shown in the diagram below.



 Spare parts p.238

OPTIONAL ACCESSORIES

				
	Winter cover	Cleaning kit HP	Remote control, Z200	Wall mounting kit, Z200
	Tailored, micro-perforated cover	Specifically formulated for evaporator cleaning. Kit includes an 5l can and a spray bottle	Transfers information and commands of the embedded interface. 20m cable included.	Includes 2 brackets and anti-vibration blocks
référence	R07094	WMA03491	WH000200	R07338