

# Pump **AQUA-MINI**

LOW RUNNING COST, LOW NOISE LEVEL

Designed for above-ground pool. Optional built-in timer.



1. Pump body with pre-filter and rotating transparent lid for easy installation and maintenance
2. Supplied with union connectors and flexible hose adaptors
3. Asynchronous, Two poles
4. Class insulation: 130(B)
5. IPX5 Waterproof standard
6. Built-in thermal protection
7. External heat sink
8. Available in 50Hz or 60Hz for 220V/110V
9. Specially designed unions are compatible for both imperial and metric standards

 **Emaux**  
water technology

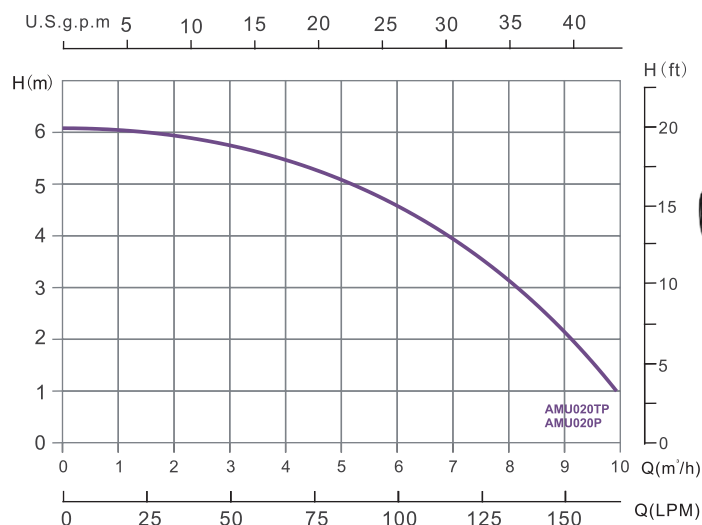
**Pool & Spa Equipment**



[www.emauxgroup.com](http://www.emauxgroup.com)

# Aqua-Mini Pump

## Technical Information:



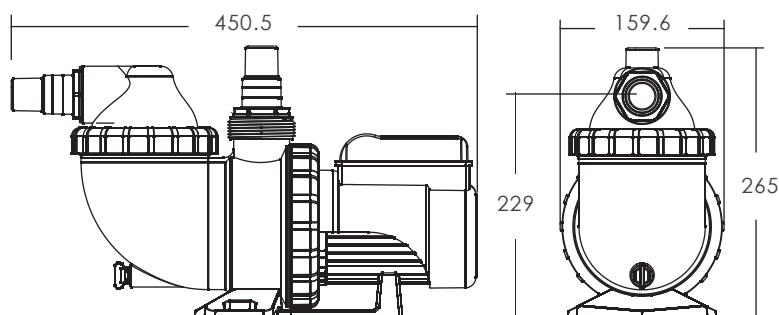
Note: The performance curve above is for 50Hz models



Timer option



## Product Information and Dimensions:



Model 50Hz	Input (kW)	Current (AMP)	Noise (dB)	Head (m)			
				2	3	4	5
AMU020TP	0.25	1.2	55	9.1	8.1	6.9	5.1
AMU020P	0.25	1.2	55	9.1	8.1	6.9	5.1



Aqua-Mini Pump is designed for above ground pools

Code 220V/50Hz	Code 110V/60Hz	Code 220V/60Hz	Model	Description	Horsepower	Connection Size	Adaptor	Weight (kg)
88028401	88028501	88028301	AMU020TP	0.20HP Aqua-Mini Pump (with timer & pre-filter)	0.2hp	1.5 inch 50mm	1 1/4" & 1 1/2" 32 & 38mm	4.2
88027801	88027901	88027701	AMU020P	0.20HP Aqua-Mini Pump (with pre-filter)	0.2hp	1.5 inch 50mm	1 1/4" & 1 1/2" 32 & 38mm	4.2

## EMAUX WATER TECHNOLOGY CO., LTD

ADDRESS G/F 41 TIN HAU TEMPLE ROAD,  
NORTH POINT, HONG KONG  
PHONE +852 2832 9880  
www.emauxgroup.com

Pool & Spa Equipment

STRIVE FOR CLEAR WATER

### Available from:

ALL SPECIFICATIONS ARE SUBJECT TO CHANGE WITHOUT NOTICE  
© 2018 EMAUX WATER TECHNOLOGY CO., LTD. ALL RIGHTS RESERVED.